

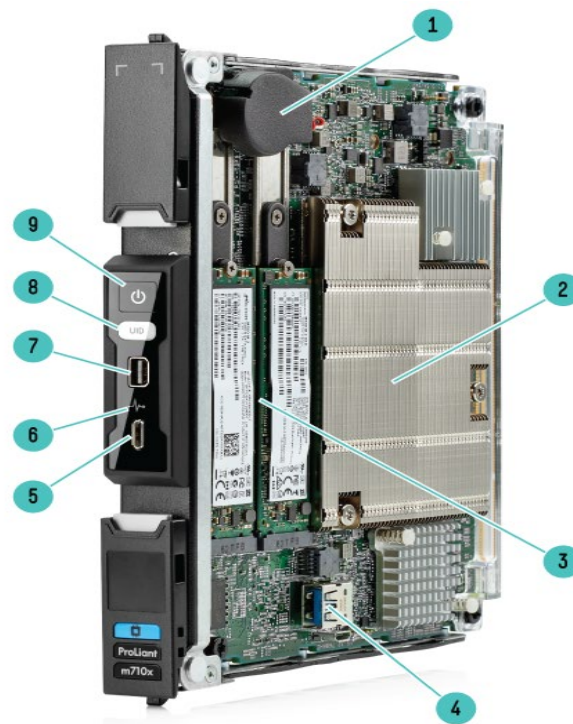
Overview

HPE ProLiant m710x Server Blade

HPE ProLiant m710x Server Cartridge is designed to enhance the performance of Rich Application Streaming, Remote Workstation/Desktop Delivery and Video Transcoding. It has one Intel® Xeon® E3-1585L v5 (in m710x)/E3-1565L v5 (in m710x-L) four-core processor with integrated Intel® Iris Pro™ P580 graphics, up to 64GB of ECC protected memory, dual 10Gb Ethernet along with up to Four (4) 3.84TB NVMe M.2 SSD storage modules, and up to One (1) 240GB M.2 SSD for local OS booting.

The HPE Moonshot System uses an innovative new architecture that results from one simple design tenet: to align purpose-built modules with the right workload to provide optimal results for your environment. Traditional servers rely on dedicated components, including management, networking, storage, power cords and cooling fans in a single chassis. In contrast, the Moonshot system shares these chassis components and is capable of supporting 45 server cartridges per 4.3U chassis. This gives you the ability to generate greater revenue from a smaller footprint while driving down your operational costs.

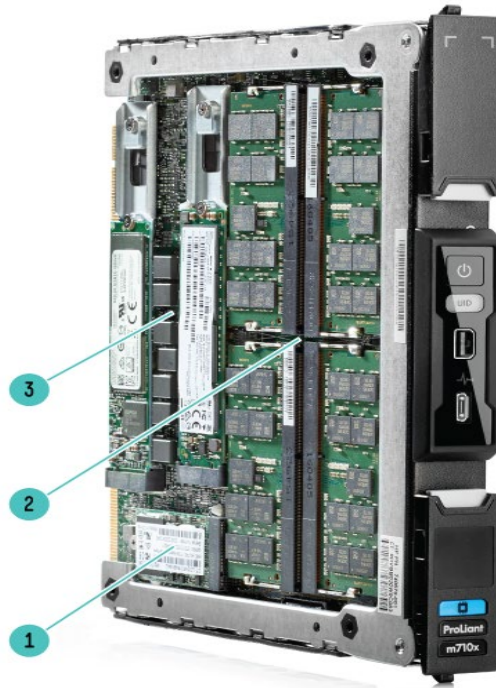
HPE Edgeline is the industry's first "Converged Edge System" - converging compute, storage, data capture, control and enterprise-class systems and device management built to thrive in hardened environments and handle shock, vibration and extreme temperatures. HPE Edgeline Systems allow deployment 1 to 4 HPE ProLiant m710x/m710x-L servers, along with associated storage and I/O options to locations both inside and outside the traditional datacenter (e.g. factories, branch office and retail outlet).



Front View

- | | | | |
|----|---|----|-----------------------------------|
| 1. | Battery | 6. | Server Cartridge Health LED |
| 2. | Intel® Xeon® E3 Processor and Heat Sink | 7. | Mini-DisplayPort Connector |
| 3. | Two (2) 2280 or 22110 M.2 SSDs (NVMe) | 8. | Server Cartridge UID LED/Button |
| 4. | Standard USB Connector | 9. | Server Cartridge Power LED/Button |
| 5. | Micro USB Connector | | |

Overview



Rear View

1. 2242 M.2 SSD (SATA)
2. Four (4) DDR4 SODIMMs
3. Two (2) 2280 or 22110 M.2 SSDs (NVMe)



Standard Features

Processor

Intel® Xeon® E3 Model	SoC Frequency	Turbo Frequency	Cores	L3 Cache	Power	DDR4 MHz
E3-1585L v5 (m710x)	3.0GHz	3.7GHz	4-core	8MB	45W	2133
E3-1565L v5 (m710x-L)	2.5GHz	3.5GHz	4-core	8MB	35W	2133

Notes: For more information regarding Intel® Xeon® E3, please see the following URL:

<http://www.intel.com/content/www/us/en/processors/xeon/xeon-processor-e3-family.html>

Chipset

Intel® C236 Chipset

Notes: For more information regarding chipset, please see the following URL:

<http://ark.intel.com/products/90594/Intel-GL82C236-PCH>

Graphics

Intel® Iris Pro™ P580 Graphics (3D) with 128MB of embedded DRAM (L4 cache) -and- iLO remote console (2D) Expansion I/O slots for selected 3D graphics cards are available in the HPE Edgeline System. Refer to the chassis documentation for details.

On System Management Chipset

HPE iLO (Firmware HPE iLO4 2.4 or later) 4GB NAND

Notes: 1GB USB user space configurable via UEFI and accessible via iLO is available only on HPE Edgeline System. Read and learn more in the iLO QuickSpecs: <http://www.hpe.com/info/ilo>

Memory

Type	HPE SmartMemory DDR4 ECC Unbuffered Small Outline (SODIMM)
Supported DIMMs	DDR4-2133 8GB (2R x 8), 16GB (2R x 8)
DIMM Slots Available	4 (4 DIMM slots per processor, 2 channels per processor, 2 DIMMs per channel)
Maximum Capacity (RDIMM)	64GB (4 x 16GB SODIMM)

Notes:

- Rules under “Memory” section must be followed for Configuring and Mixing of DIMMs.
- Registered DIMMs (RDIMMs), Load Reduced DIMMs (LRDIMMs) and Non-Volatile DIMMs (NVDIMMs) are not supported

Memory Protection

- Advanced ECC
- Advanced ECC uses single device data correction to detect and correct single and all multibit error that occurs within a single DRAM chip.
- Patrol/Demand scrubbing
- Patrol and Demand scrubbing detect and correct memory errors by periodically inspecting the entire memory space or when the data is accessed during normal operation.



Standard Features

Expansion slots

Expansion I/O slot options are available in the HPE Edgeline System. Refer to the chassis documentation for details.

Network Controller

- Mellanox Connect-X3 Pro
- Dual 10GbE NIC. Supports RDMA over Converged Ethernet (RoCE)

Storage Controller and Devices

SATA and PCIe controllers are Integrated in the Intel® Xeon® E3 SoC and Intel® C236 Chipset

SSD Slot #	Technology	Bus Width	Connector Width	Form Factor	Supported Sizes
SATA #1	SATA-3	x1	x1	M.2 2242	64GB 120GB 240GB
NVMe #1	PCIe 3.0	x4	x4	M.2 2280 or 22110	256GB 512GB 1024GB 1.92TB 3.84TB
NVMe #2	PCIe 3.0	x4	x4	M.2 2280 or 22110	256GB 512GB 1024GB 1.92TB 3.84TB
NVMe #3	PCIe 3.0	x4	x4	M.2 2280 or 22110	256GB 512GB 1024GB 1.92TB 3.84TB
NVMe #4	PCIe 3.0	X2	x4	M.2 2280 or 22110	256GB 512GB 1024GB 1.92TB 3.84TB

Notes:

- The HPE m710x server cartridge may be purchased with zero M.2 storage (i.e. network/diskless boot).
- SATA and NVMe M.2 SSDs can both be used as an OS boot drive
- SATA M.2 2242 SSDs are designed for “Read Intensive” environments. For “Mixed Use” applications, M.2 2280 or 2110 SSDs are recommended (256GB, 512GB, 1024GB, 2TB).

Maximum Internal Storage		
M.2 2242 SATA solid state device	240 GB	1 x 240 GB
M.2 2280 NVMe solid state devices	15.36 TB	4 x 3.84 TB

Power Supply

Power supply options depend on the chassis used. Refer to the chassis documentation for details.



Standard Features

System Fans

System fan options depend on the chassis used. Refer to the chassis documentation for details.

Interfaces

- Server Cartridge Link LED/button
- Server Cartridge UID LED/button
- Drive LED
- Server Cartridge Health LED
- Micro-USB 2.0 connector

Notes: To connect a standard USB device to the server cartridge, connect a Micro-USB to USB Type-A adapter (from the orderable m710x cable kit) to the cartridge Micro-USB connector, and then connect the USB device to the adapter.

- Mini-DisplayPort connector

Notes: To connect a monitor, use one of the following adapters from the orderable m710x cable kit:

- Mini Displayport (DP) to Displayport (DP) Female Adapter
 - Mini Displayport (DP) to HDMI Adapter
-

Operating Systems and Virtualization Software

For information on certified OS and Virtualization Software for HPE Moonshot and Edgeline visit the **Supported Operating Systems for Edgeline, Moonshot, and IoT Gateway Systems**

Industry Standard Compliance

- PXE Support
 - PCIe 3.0 Compliant
 - WOL Support
 - Microsoft® Logo certifications
 - USB 2.0 and 3.0 Support
 - ACPI 2.0 Compliant
-

HPE Server UEFI ROM

Unified Extensible Firmware Interface (UEFI) is an industry standard that provides better manageability and more secured configuration than the legacy ROM while interacting with your server at boot time. The HPE ProLiant m710x Server defaults to UEFI, and additionally supports customers requiring Legacy BIOS Boot Mode.

Notes: The UEFI System Utilities function is analogous to the HPE ROM-Based Setup Utility (RBSU) of legacy BIOS. For more information, please visit <http://www.hpe.com/servers/uefi>

UEFI enables numerous new capabilities specific to HPE ProLiant servers such as:

- Secure Boot
- Operating system specific functionality
- Support for > 2.2 TB (using GPT) boot drives
- USB 3.0 Stack (only used in HPE Edgeline System)
- Embedded UEFI Shell
- Mass Configuration Deployment Tool using RESTful API for iLO 4
- PXE boot support for IPv6 networks
- Boot support for option cards that only support a UEFI option ROM (only used in HPE Edgeline System)
- Network Stack configurations

Notes: For UEFI Boot Mode, boot environment and OS image installations should be configured properly to support UEFI.



Standard Features

Form Factor

HPE ProLiant m710x Server Cartridge plugs into the HPE Moonshot 1500 and HPE Edgeline EL1000/EL4000 Systems.

Embedded Management

HPE Integrated Lights-Out (HPE iLO)

Monitor your servers for ongoing management, service alerting, reporting and remote management with HPE iLO.

Learn more at <http://www.hpe.com/info/ilo>

UEFI

Configure and boot your servers securely with industry standard Unified Extensible Firmware Interface (UEFI).

Learn more at <http://www.hpe.com/servers/uefi>.

RESTful API

RESTful API for iLO 4 is Redfish 1.0 conformance for simplified server management such as configuration and maintenance tasks based on modern industry standards. Learn more at: <http://www.hpe.com/info/restfulapi>

Notes: Full REST API is available when the server is installed in a HPE Edgeline System

Intelligent Provisioning

Hassle free server and OS provisioning for 1 or few servers with Intelligent Provisioning. Learn more at

<http://www.hpe.com/servers/intelligentprovisioning>

Notes:

- Intelligent provisioning is only supported when the server is installed in a HPE Edgeline System
 - HPE iLO provides only Remote Console and Virtual Media capabilities when the server is installed in a HPE Moonshot 1500 System.
 - HPE iLO provides the full set of ProLiant features when the server is installed in a HPE Edgeline System. Advanced Pack licenses will be required for enhanced capabilities, including Remote Console and Virtual Media.
-

Server Utilities

Moonshot Component Pack

The HPE Moonshot Component Pack is a comprehensive firmware solution tested on the HPE Moonshot System and delivered as a compressed file. The compressed file includes all the component files needed to update a Moonshot System. Users deploy the firmware updates contained in the Moonshot Component Pack via the iLO Chassis Manager CLI or HPE Moonshot-45G/180G Switch Module CLI. This can be accomplished using HPE Smart Update Manager, which is included with the files, or manually.

Access the Moonshot supporting software/driver download page via: <https://www.hpe.com/us/en/servers/moonshot.html>

Notes: The Moonshot Component Pack is only supported when the server is installed in a HPE Moonshot 1500 System.

Edgeline Component Pack

The HPE Edgeline Component Pack, is the delivery mechanism for firmware updates on the HPE Edgeline System. Before using your system for the first time, verify that you have the latest drivers, firmware, and system software installed.

For more information, see the Edgeline Component Pack Update Guide on the Hewlett Packard Enterprise website:

<http://www.hpe.com/info/edgeline-docs>

Notes: The Edgeline Component Pack is only supported when the server is installed in a HPE Edgeline System.

Scripting Tool Kit and Windows PowerShell

Provision 1 to many servers using your own scripts to discover and deploy them with Scripting Tool Kit (STK) for Windows and Linux or Scripting Tools for Windows PowerShell. Learn more at or <http://www.hpe.com/servers/powershell>.

Notes: This Feature will be available when the server is installed in a HPE Edgeline System.



Standard Features

RESTful Interface Tool

RESTful Interface tool is a scripting tool to provision using RESTful API for iLO4 to discover and deploy servers at scale.

Learn more at <http://www.hpe.com/info/resttool>

Notes: This Feature will be available when the server is installed in a HPE Edgeline System.

HPE Insight Online

HPE Insight Online, available at no additional cost as part of your Hewlett Packard Enterprise warranty or contractual support agreement with Hewlett Packard Enterprise, is a personalized dashboard for simplified tracking of IT operations and support information from anywhere, anytime. Learn more at: <http://www.hpe.com/info/insightonline/explore>.

Security

- Serial interface control
- Administrator's password
- Power-on password
- TPM2.0
- UEFI
- iLO 4 (Integrated Lights-Out 4) has 12 customizable user accounts and SSL encryption ¹
- iLO 4 can be disabled via a Global Setting ²
- iLO Advanced supports directory services integration ³

Notes:

- ^{1,2} and ³ are delivered by iLO Chassis Manager in HPE Moonshot 1500 System and HPE m710x's embedded iLO4 in the HPE Edgeline System.
 - ^{1, 2} and ³ require an HPE iLO Advanced License when the HPE m710x is installed in a HPE Edgeline System.
-

HPE Trusted Platform Module

HPE Trusted Platform Module 2.0 is embedded on the Server Cartridge, and can be enabled and disabled using the BIOS.

The TPM (Trusted Platform Module) is a microcontroller chip that can securely store artifacts used to authenticate the server platform. These artifacts can include passwords, certificates and encryption keys. Windows® BitLocker™ Drive Encryption (BitLocker) is a data protection feature available in Windows Server® 2008, 2012/2012 R2. BitLocker leverages the enhanced security capabilities of a Trusted Platform Module (TPM) version 2.0. The TPM works with BitLocker to help protect user data and to ensure that a server running Windows Server has not been tampered with while the system was offline. For more information about TPM, including a white paper, go to: <https://www.hpe.com/h20195/v2/gethtml.aspx?docname=c04939549>

Notes:

- ProLiant OS pre-installed units will come with the partition required for TPM deployment.
 - The TPM key is unique to every TPM deployed server and must be retained. Misplacing or losing the key could result in data loss.
-



Standard Features

Warranty

This product is covered by a global limited warranty and supported by HPE Services and a worldwide network of Hewlett Packard Enterprise Authorized Channel Partners resellers. Hardware diagnostic support and repair is available for three years from date of purchase. Support for software and initial setup is available for 90 days from date of purchase. Enhancements to warranty services are available through HPE Pointnext operational services or customized service agreements. Hard drives have either a one year or three year warranty; refer to the specific hard drive QuickSpecs for details.

Notes: Server Warranty includes 3-Year Parts, 0-Year Labor, 0-Year Onsite support with next business day response. Warranty repairs may be accomplished through the use of Customer Self Repair (CSR) parts. These parts fall into two categories: 1) Optional CSR parts are designed for easy replacement but may involve added complexity. Customers may choose to have Hewlett Packard Enterprise replace Optional CSR parts at no charge. 2) No CSR parts are also designed for requiring a Hewlett Packard Enterprise authorized service provider replace the part. Additional information regarding worldwide limited warranty and technical support is available at: <http://h20564.www2.hp.com/hpsc/wc/public/home>



Optional Features

HPE Insight Cluster Management Utility (CMU)

HPE Insight Cluster Management Utility (CMU) is a Hewlett Packard Enterprise-licensed and Hewlett Packard Enterprise-supported suite of tools that are used to manage large-scale systems. Insight CMU includes software for the centralized provisioning, management and monitoring of nodes. Insight CMU makes the administration of clusters more user friendly, efficient, and error free than if they were being managed by scripts, or on a node-by-node basis. For more information on Hewlett Packard Enterprise Insight Cluster Management Utility, please contact your sales representative or go to:

<https://www.hpe.com/us/en/servers/server-management.html>

Factory Express Portfolio for Servers and Storage

HPE Factory Express offers configuration, customization, integration and deployment services for Hewlett Packard Enterprise servers and storage products. Customers can choose how their factory solutions are built, tested, integrated, shipped and deployed.

Factory Express offers service packages for simple configuration, racking, installation, complex configuration and design services as well as individual factory services, such as asset tagging, and custom packaging. Hewlett Packard Enterprise products supported through Factory Express include a wide array of servers and storage: HPE Moonshot, HPE Integrity, HPE ProLiant, HPE ProLiant Server Blades, and HPE BladeSystem, HPE 9000 servers as well as the MSAxxxx, VA7xxx, EVA, XP, rackable tape libraries and configurable network switches.

For more information on Factory Express services for your specific server model please contact your sales representative or go to:

<http://www.hp.com/go/factory-express>



Service and Support

HPE Pointnext - Service and Support

Get the most from your HPE Products. Get the expertise you need at every step of your IT journey with **HPE Pointnext Services**. We help you lower your risks and overall costs using automation and methodologies that have been tested and refined by HPE experts through thousands of deployments globally. HPE Pointnext **Advisory Services** focus on your business outcomes and goals, partnering with you to design your transformation and build a roadmap tuned to your unique challenges. Our **Professional** and **Operational Services** can be leveraged to speed up time-to-production, boost performance and accelerate your business. HPE Pointnext specializes in flawless and on-time implementation, on-budget execution, and creative configurations that get the most out of software and hardware alike.

Consume IT on your terms

HPE GreenLake brings the cloud experience directly to your apps and data wherever they are—the edge, colocations, or your data center. It delivers cloud services for on-premises IT infrastructure specifically tailored to your most demanding workloads. With a pay-per-use, scalable, point-and-click self-service experience that is managed for you, HPE GreenLake accelerates digital transformation in a distributed, edge-to-cloud world.

- Get faster time to market
- Save on TCO, align costs to business
- Scale quickly, meet unpredictable demand
- Simplify IT operations across your data centers and clouds

Managed services to run your IT operations

HPE GreenLake Management Services provides services that monitor, operate, and optimize your infrastructure and applications, delivered consistently and globally to give you unified control and let you focus on innovation.

Recommended Services

HPE Pointnext Tech Care.

HPE Pointnext Tech Care is the new operational service experience for HPE products. Tech Care goes beyond traditional support by providing access to product specific experts, an AI driven digital experience, and general technical guidance to not only reduce risk but constantly search for ways to do things better. HPE Pointnext Tech Care has been reimaged from the ground up to support a customer-centric, AI driven, and digitally enabled customer experience to move your business forward. HPE Pointnext Tech Care is available in three response levels. Basic, which provides 9x5 business hour availability and a 2 hour response time. Essential which provides a 15 minute response time 24x7 for most enterprise level customers, and Critical which includes a 6 hour repair commitment where available and outage management response for severity 1 incidents.

<https://www.hpe.com/services/techcare>

HPE Pointnext Complete Care

HPE Pointnext Complete Care is a modular, edge-to-cloud IT environment service that provides a holistic approach to optimizing your entire IT environment and achieving agreed upon IT outcomes and business goals through a personalized and customer-centric experience. All delivered by an assigned team of HPE Pointnext Services experts. HPE Pointnext Complete Care provides:

- A complete coverage approach -- edge to cloud
- An assigned HPE team
- Modular and fully personalized engagement
- Enhanced Incident Management experience with priority access
- Digitally enabled and AI driven customer experience

<https://www.hpe.com/services/completecure>

To see recommended HPE Support Services for your HPE product (4 and 5 year Service offerings are also available)

See HPE Moonshot 1500 System See HPE Edgeline System



Service and Support

For more information

To learn more on HPE Moonshot or HPE Edgeline Systems, please contact your Hewlett Packard Enterprise sales representative.

Parts and Materials

Hewlett Packard Enterprise will provide HPE-supported replacement parts and materials necessary to maintain the covered hardware product in operating condition, including parts and materials for available and recommended engineering improvements.

Parts and components that have reached their maximum supported lifetime and/or the maximum usage limitations as set forth in the manufacturer's operating manual, product QuickSpecs, or the technical product data sheet will not be provided, repaired, or replaced as part of these services.

The defective media retention service feature option applies only to Disk or eligible SSD/Flash Drives replaced by Hewlett Packard Enterprise due to malfunction.



Configuration Information

This section lists some of the steps required to configure a Factory Integrated Model. To ensure only valid configurations are ordered, Hewlett Packard Enterprise recommends the use of a Hewlett Packard Enterprise approved configurator. Contact your local sales representative for information on configurable product offerings and requirements

Notes:

- If you want to configure the HPE Moonshot 1500 System with server cartridges, proceed to the HPE Moonshot 1500 System Quick Specs: <https://www.hpe.com/us/en/servers/moonshot.html>
- If you want to configure the HPE Edgeline EL1000/EL4000 System with server cartridges, proceed to the HPE Edgeline QuickSpecs: <http://www.hpe.com/info/edgeline-docs>
- If you want to configure a server cartridge only, proceed to Step 1

Step 1: Base Configuration (Choose upgrade kit)

HPE ProLiant Server Upgrade Kit

HPE Moonshot Server Multipack

814659-B21

Notes: Up to 15 server cartridges of any kind fit in this multipack

Notes: Mixed Cartridge configuration is supported

Step 2: Pick ProLiant Server Cartridge

HPE ProLiant m710x/m710x-L Server Cartridge

Notes:

- Each ProLiant m710x server cartridge is pre-configured with a single Intel® Xeon® E3-1585L v5 (x86-64) Four-core processor running at 3.0-3.7GHz. Each ProLiant m710x-L server cartridge is pre-configured with a single Intel® Xeon® E3-1565L v5 (x86-64) Four-core processor running at 2.5-3.5GHz.
- Each of these processor packages also contains an integrated Intel® Iris Pro™ P580 Graphics processor with 128MB of embedded DRAM. This processor contains 6MB of shared L3 cache with Memory configurable up to 64GB.
- The processor on each server is fixed and cannot be changed after ordering. DIMMs and SSDs are configurable.
- Mixing of different server cartridges within the same chassis is supported

Step 3: Configure ProLiant Server Cartridge (Choose appropriate Option)

Notes:

- Additional options are not configurable for server upgrade kits.
- Must order identical quantity on all configured ProLiant server cartridges.
- Part numbers provided below can be used to order upgrades as well

HPE Memory

Select 1 to 4 of the following:

HPE 8GB (1x8GB) ECC Dual Rank x8 DDR4-2400 CAS-15-15-15 Unbuffered SO-DIMM Field Upgradable Kit 863951-B21

HPE 16GB (1x16GB) ECC Dual Rank x8 DDR4-2400 CAS-15-15-15 Unbuffered SO-DIMM Field Upgradable Kit 863953-B21

HPE Solid State Drives

Select 0 to 1 of the following:

HPE 120GB SATA M.2 2242 Solid State Drive Field Upgradable Kit 866842-B21



Configuration Information

Select 0 to 4 of the following:

HPE 256GB NVMe x4 Lanes Read Intensive M.2 2280 1yr Wty Extended Temperature SSD	880262-B21
HPE 512GB NVMe x4 Lanes Read Intensive M.2 2280 1yr Wty Extended Temperature SSD	880264-B21
HPE 1TB NVMe x4 Lanes Read Intensive M.2 2280 1yr Wty Extended Temperature SSD	880266-B21
HPE Edgeline 2TB NVMe x4 Lanes Read Intensive M.2 2280 1yr Wty Extended Temperature SSD	P00375-B21
HPE Edgeline 960GB NVMe x4 Lanes Mixed Use M.2 22110 3yr Wty Extended Temperature SSD	P05892-B21
HPE Edgeline 1.92TB NVMe x4 Lanes Mixed Use M.2 22110 3yr Wty Extended Temperature SSD	P05896-B21
HPE Edgeline 3.84TB NVMe x4 Lanes Mixed Use M.2 22110 3yr Wty Extended Temperature SSD	P05900-B21

HPE Video Processing Unit (VPU)

Notes:

- Mixing of 2280/22110 M.2 SSD types in a server is allowed
- SATA and NVMe M.2 SSDs can both be used as an OS boot drive
- The m710x can support up to Qty of 4 of the XTemp M.2 SSD models up to 55c
- For additional M.2 SSD information please visit the Edgeline M.2 SSD QuickSpecs.

Step 4: To Select a different server cartridge see details:

HPE Moonshot 1500 System

<https://www.hpe.com/us/en/servers/moonshot.html>

HPE Edgeline EL1000/EL4000 System

<http://www.hpe.com/info/edgeline-docs>



Additional Options

Step 5: Choose Additional Options

Notes: Some options may not be integrated at the factory. To ensure only valid configurations are ordered, Hewlett Packard Enterprise recommends the use of a Hewlett Packard Enterprise approved configurator. Contact your local sales representative for additional information.

Cable Kits

HPE m710x Front I/O Cable Kit

867893-B21

Notes:

- This optional kit provides the following cables for connecting the HPE ProLiant m710x server directly to a monitor, keyboard, mouse or other accessories.
 - o Mini Displayport (DP) to Displayport (DP) Female Adapter
 - o Mini Displayport (DP) to HDMI Adapter
 - o Micro-USB to USB Type-A Female Adapter
- These cables can be used in production when the server is installed in a HPE Edgeline EL1000 system (front access). However, they will require removal of the top cover when the server is installed in a Moonshot 1500 (top access) and partial extraction of the chassis from the rack when installed in an Edgeline EL4000 system (side access).

HPE Embedded Management

HPE Integrated Lights Out (iLO) Advanced

HPE iLO Advanced Electronic License with 1yr Support on iLO Licensed Features E6U59ABE

HPE iLO Advanced Electronic License with 3yr Support on iLO Licensed Features E6U64ABE

HPE iLO Advanced 1-server License with 1yr Support on iLO Licensed Features 512485-B21

HPE iLO Advanced Flexible Quantity License with 1yr Support on iLO Licensed Features 512486-B21

HPE iLO Advanced AKA Tracking License with 1yr Support on iLO Licensed Features 512487-B21

HPE iLO Advanced 1-server License with 3yr Support on iLO Licensed Features BD505A

HPE iLO Advanced Flexible Quantity License with 3yr Support on iLO Licensed Features BD506A

HPE iLO Advanced AKA Tracking License with 3yr Support on iLO Licensed Features BD507A

Notes: If the server cartridge will be installed in a Moonshot 1500 system, do NOT order any iLO Advanced pack licenses (it's not supported). If the server will be installed in an Edgeline system, 1 optional iLO Advanced license can be ordered for each configured server. E.g. In a HPE Edgeline EL4000 system with 4 server cartridges, you can order 0-4 iLO Advanced licenses depending on the number of servers you wish to enable with the advanced capabilities.

For more details on iLO Advanced, refer to: <http://www.hpe.com/info/ilo>

HPE Insight Software

HPE Insight Control

Electronic and Flexible-Quantity licenses can be used to purchase multiple licenses with a single activation key. Customer will receive a license entitlement certificate. The license entitlement certificate must be redeemed online or via fax in order to obtain the license activation key(s). Includes one year of 24x7 HPE Software Technical Support and Update Service.

Notes:

- Licenses ship without media. The HPE Insight Control Media Kit can be ordered separately, or can be downloaded at: <http://www.hpe.com/info/insightmanagement>
 - For additional license options please see the QuickSpecs at: <http://www.hpe.com/h20195/v2/gethtml.aspx?docname=c04123391>
-



Memory

DIMM Population Order for the HPE m710x/m710x-L Server Cartridge

Total Memory	Slot #			
	DIMM 1 (GB)	DIMM 2 (GB)	DIMM 3 (GB)	DIMM 4 (GB)
8 GB		8		
16 GB		8		8
24 GB		16		8
32 GB		16		16
40 GB	16	16		8
48 GB	16	16	8	8
64 GB	16	16	16	16

Notes:

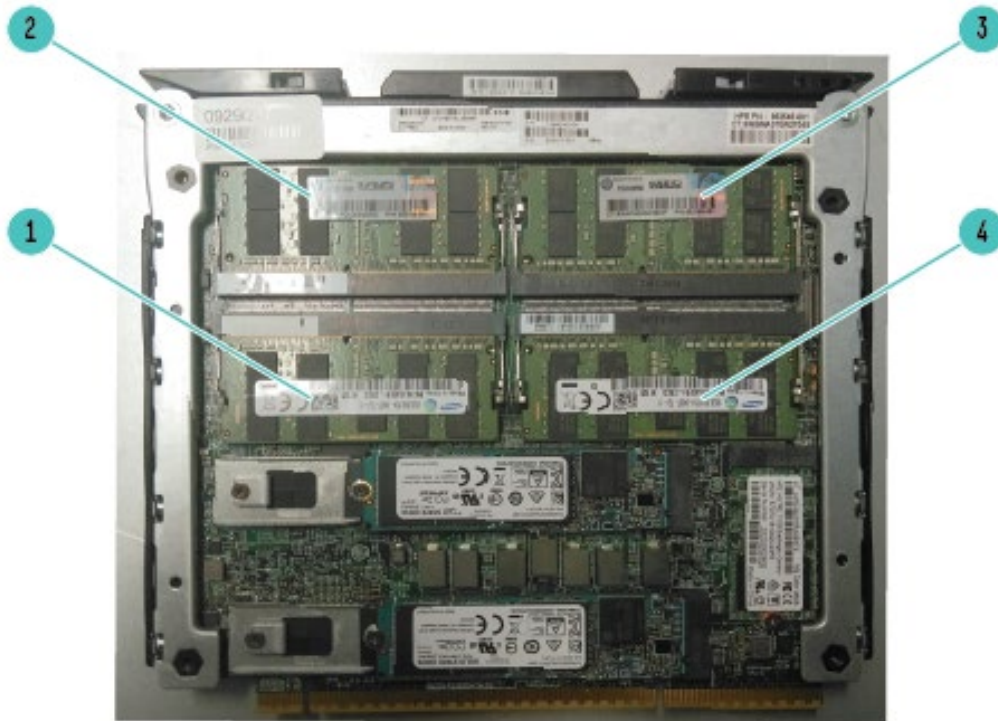
- Table shows recommended HPE m710x server memory configurations that have been optimized by HPE.
- DIMM slots are not color coded on this server. Refer to the picture below for the locations.
- Do not use Registered DIMMs (RDIMMs). Load Reduced DIMMs (LRDIMMs) and Non-Volatile DIMMs (NVDIMMs)

General Memory Population Rules and Guidelines

- There are two (2) Memory channels per processor. This server only has 1 processor.
- There are two (2) DIMM slots for each memory channel; four (4) total slots per processor.
- A minimum of one DIMM is required per processor.
- DIMM 1 and DIMM 2 belong to CPU Channel A. DIMM 3 and DIMM 4 belong to Channel B. Recommended configurations are designed to optimize performance.
- When mixing DIMMs of different sizes, load the heaviest load (DIMM with most ranks) DIMM first.
- Load DIMMS in this sequence: DIMM 2 -> DIMM 4 -> DIMM 1 -> DIMM 3. See the diagram above.
- The maximum memory speed is a function of the memory type, memory configuration, and processor model.
- Use only HPE memory specified in this document.



Memory



DIMM Locations on the HPE m710x/m710x-L Server

Item	DIMM 3 / DIMM 4 = Channel B	Item	DIMM 1 / DIMM 2 = Channel A
1.	DIMM 3	3.	DIMM 2
2.	DIMM 4	4.	DIMM 1



Memory

Intel Supported Memory Bandwidth for HPE ProLiant m710x/m710x-L Intel® Xeon® E3-1585L/1565L v5 Series Processor Family

Memory Bandwidth and Capacity		
DIMM Type	ECC Unbuffered Small Outline DIMMs (SODIMMs)	
HPE P/N	HPE 16GB (1x16GB) ECC Dual Rank x8 DDR4-2400 CAS-15-15-15 Unbuffered SO-DIMM Field Upgradable Kit	863953-B21
DIMM Rank	Dual Rank	Dual Rank
DIMM Capacity	8GB	16GB
Voltage	Std Voltage 1.2V	Std Voltage 1.2V
DRAM Depth [bit]	1G	2G
DRAM Width [bit]	x8	X8
DRAM Density	8Gb	8Gb
CAS Latency	15-15-15	15-15-15
DIMM Native Speed (MT/s)	2400	2400
Slots that can be populated	4	4
Maximum Capacity (GB)	32	64
POPULATED DIMM SPEED (MT/s)		
1 DIMM Per Channel	2133	2133
2 DIMM Per Channel	2133	2133

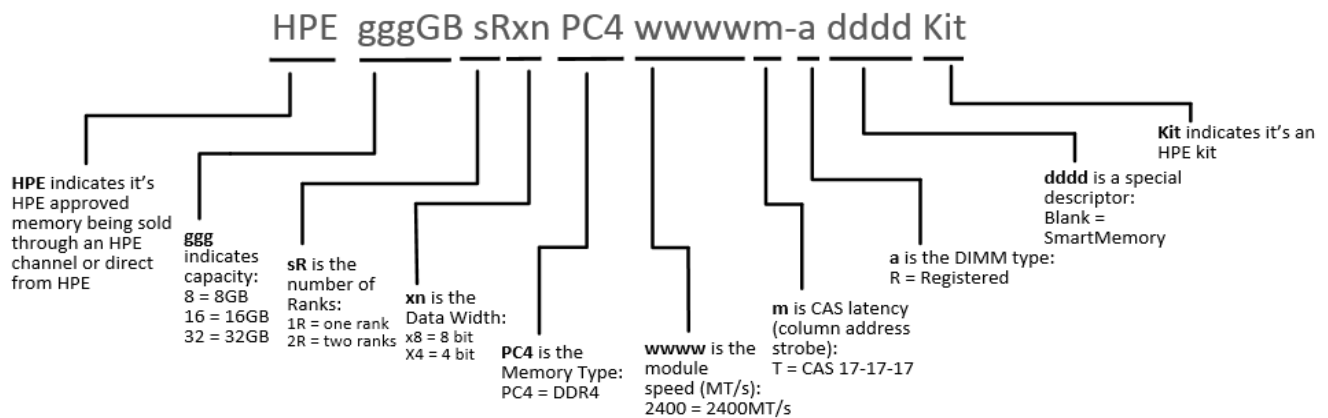
Memory Speed by Processor Model	
Processor Model	Supported Memory Speeds
E3-1585L v5/ E3-1565L v5	2133 MT/s

DDR4 memory options part number decoder

Notes:

Capacity references are rounded to the common gigabyte (GB) values.

- 8GB = 8,192MB
- 16GB = 16,384MB



Storage

SSD Options on the HPE m710x/m710x-L Server Cartridge

SSD Numbering	Supported Module	Connection Type
SATA # 1	M.2 2242	SATA-3 x1
NVMe # 1	M.2 2280 or 22110	PCIe 3.0 x4
NVMe # 2	M.2 2280 or 22110	PCIe 3.0 x4
NVMe # 3	M.2 2280 or 22110	PCIe 3.0 x4
NVMe # 4	M.2 2280 or 22110	PCIe 3.0 x2



Technical Specifications

Server Cartridge

HPE ProLiant m710x/m710x-L Server Cartridge

- **Dimensions (H x W x D)**
6.57 x 7.23 x 0.78in (16.71 x 18.37 x 1.98cm)
- **Typical Power**
70W
- **Max Power**
85W

System Inlet Temperature

- **Standard Operating**
 - HPE Moonshot 1500 and HPE Edgeline EL1000/4000 Systems
 - Fully supported. Typical range is 10° to 35°C (50° to 95°F) with altitude derating.
 - Refer to the HPE Moonshot 1500 or Edgeline EL1000/4000 System documentation for details.
- **Extended Operating**
 - HPE Moonshot 1500 System:
 - NOT supported.
 - HPE Edgeline EL1000/4000 System:
 - Depending on hardware configuration, the supported system inlet range can be extended up to 55°C. Compliance to ASHRAE A3 and A4 standards is also available. The approved hardware configurations for this system are listed in the Edgeline system documentation.
- **Non-operating**
Refer to the HPE Moonshot 1500 or Edgeline EL1000/4000 System documentation for details.

Altitude

- **Operating**
Refer to the HPE Moonshot 1500 or Edgeline EL1000/4000 System documentation for details.
- **Non-operating**
Refer to the HPE Moonshot 1500 or Edgeline EL1000/4000 System documentation for details.

Emissions Classification (EMC)

- **FCC Rating**
Class A
- **Normative Standards**
CISPR 22; EN55022; EN55024; FCC CFR 47, Pt 15; ICES-003; CNS13438; K22;K24; EN 61000-3-2; EN 61000-3-3; EN 60950-1; IEC 60950-1

Notes: Product conformance to cited product specifications is based on sample (type) testing, evaluation, or assessment. This product or family of products is eligible to bear the appropriate compliance logos and statements.



Memory

Environment-friendly Products and Approach - End-of-life Management and Recycling

Hewlett Packard Enterprise offers end-of-life **product return, trade-in, and recycling programs** in many geographic areas, for our products. Products returned to Hewlett Packard Enterprise will be recycled, recovered or disposed of in a responsible manner.

The EU WEEE Directive (2012/19/EU) requires manufacturers to provide treatment information for each product type for use by treatment facilities. This information (product disassembly instructions) is posted on the [Hewlett Packard Enterprise web site](#). These instructions may be used by recyclers and other WEEE treatment facilities as well as Hewlett Packard Enterprise OEM customers who integrate and re-sell Hewlett Packard Enterprise equipment.

Other Infrastructure Components

Notes: For information on supported Chassis, Switch and Uplink Modules, please see the following:

System Types

HPE Moonshot

- [HPE Moonshot 1500 System](#)

HPE Edgeline

- [HPE Edgeline EL1000 System](#)
- [HPE Edgeline EL4000 System](#)

Switch (Moonshot 1500 Only)

FastPATH

- [HPE Moonshot-45G Switch Module](#)
- [HPE Moonshot-180G Switch Module](#)

Comware

- [HPE Moonshot-45Gc Switch Module](#)
- [HPE Moonshot-45XGc Switch Module](#)
- [HPE Moonshot-180XGc Switch Module](#)

Uplink Module (Moonshot 1500 Only)

- [HPE Moonshot-6SFP+ Uplink Module](#)
 - [HPE Moonshot-16SFP+ Uplink Module](#)
 - [HPE Moonshot-4QSFP+ Uplink Module](#)
-



Summary of Changes

Date	Version History	Action	Description of Change
15-Nov-2021	Version 15	Changed	Configuration Information and Technical Specifications sections were updated. Obsolete SKUs were removed.
06-Jul-2020	Version 14	Changed	Configuration Information section was updated.
15-Jun-2020	Version 13	Changed	Overview and Standard Features sections were updated
02-Mar-2020	Version 12	Changed	Standard Features section was updated
04-Nov-2019	Version 11	Changed	Overview section was updated
06-May-2019	Version 10	Changed	Configuration Information section was updated.
02-Apr-2019	Version 9	Changed	Updates throughout the QuickSpecs to add m710x-L & related updates. Obsolete SKUs were removed. QS name was updated
15-Oct-2018	Version 8	Changed	SKU description were updated. Obsolete SKUS were removed.
04-Dec-2017	Version 7	Changed	Update Overview and Service and Support section
25-Sep-2017	Version 6	Changed	Updates throughout the QuickSpecs
01-May-2017	Version 5	Changed	Updates throughout the QuickSpecs
16-Dec-2016	Version 4	Changed	Added iLO licensing and clarified some notes
09-Sep-2016	Version 3	Changed	Detailed configuration information and cleanup
15-Jul-2016	Version 2	Changed	Updates throughout the QuickSpecs
06-Jun-2016	Version 1	New	New QuickSpecs



Copyright

Make the right purchase decision.
Contact our presales specialists.



Chat



Email



Call



Get updates



Hewlett Packard
Enterprise

© Copyright 2021 Hewlett Packard Enterprise Development LP. The information contained herein is subject to change without notice. The only warranties for Hewlett Packard Enterprise products and services are set forth in the express warranty statements accompanying such products and services. Nothing herein should be construed as constituting an additional warranty. Hewlett Packard Enterprise shall not be liable for technical or editorial errors or omissions contained herein.

Microsoft and Windows NT are US registered trademarks of Microsoft Corporation.
Intel, the Intel logo, Xeon and Xeon Inside are trademarks of Intel Corporation in the U.S. and other countries.
For hard drives, 1GB = 1 billion bytes. Actual formatted capacity is less.

c05069173 - 15595 - Worldwide - V15 - 15-November-2021